

# Data Sheet

## QUADRAVENT®

A Vacuum Vent for Vent-Ballasted, Loose-Laid, Membrane Roof Systems



### REQUIRED BUILDING CODE TESTING AND CERTIFICATIONS

TER 1906-01  
 Certified to IBC -12, 15: International Building Code®

CLASSIFIED  
 UL1897-Tested  
 Passing Pressure = 345 PSF (using 12x24 test bed)  
 R39522

### TYPICAL PROPERTIES

Base Flange Diameter	12"
Height	15"
Number of Ports	4
Port Diameter	2.05"
Base Opening Dia.	3.75"
Weight (no boot)	4.8 lbs
Material	PVC
Membrane-to-Port Distance	7.25"

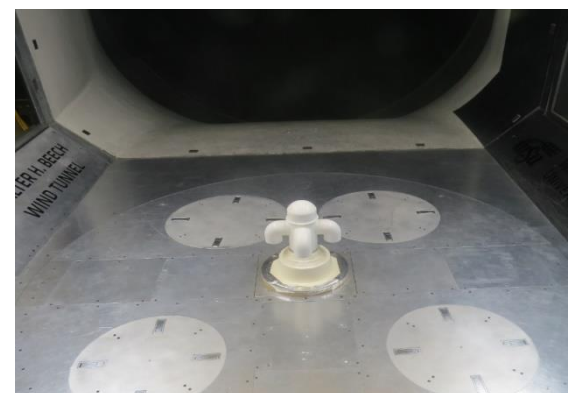
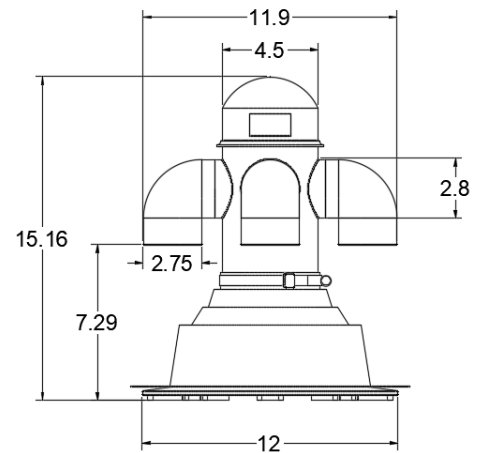
### Overview

QuadraVent® is more than just another equalization vent for vent-ballasted, loose-laid roof membrane systems.

QuadraVent® is designed to create **superior suction pressure** at its base as wind passes by its ports. In addition, due to the large diameter of its ports and center housing, QuadraVent® has **superior air flow capacity**, resulting in the **superior suction power**. As can be seen in the graph below, the harder the wind blows, the more suction power that is created at the base.

### Features

- Sturdy design made from UV Stable PVC
- Patent-Pending design that maximizes suction power created
- Can be ordered with or without boot preinstalled
- Can be used with KEE, PVC, and TPO roof membranes



\*Graph shows typical minimum suction power created at QuadraVent® base, per independent wind tunnel testing.